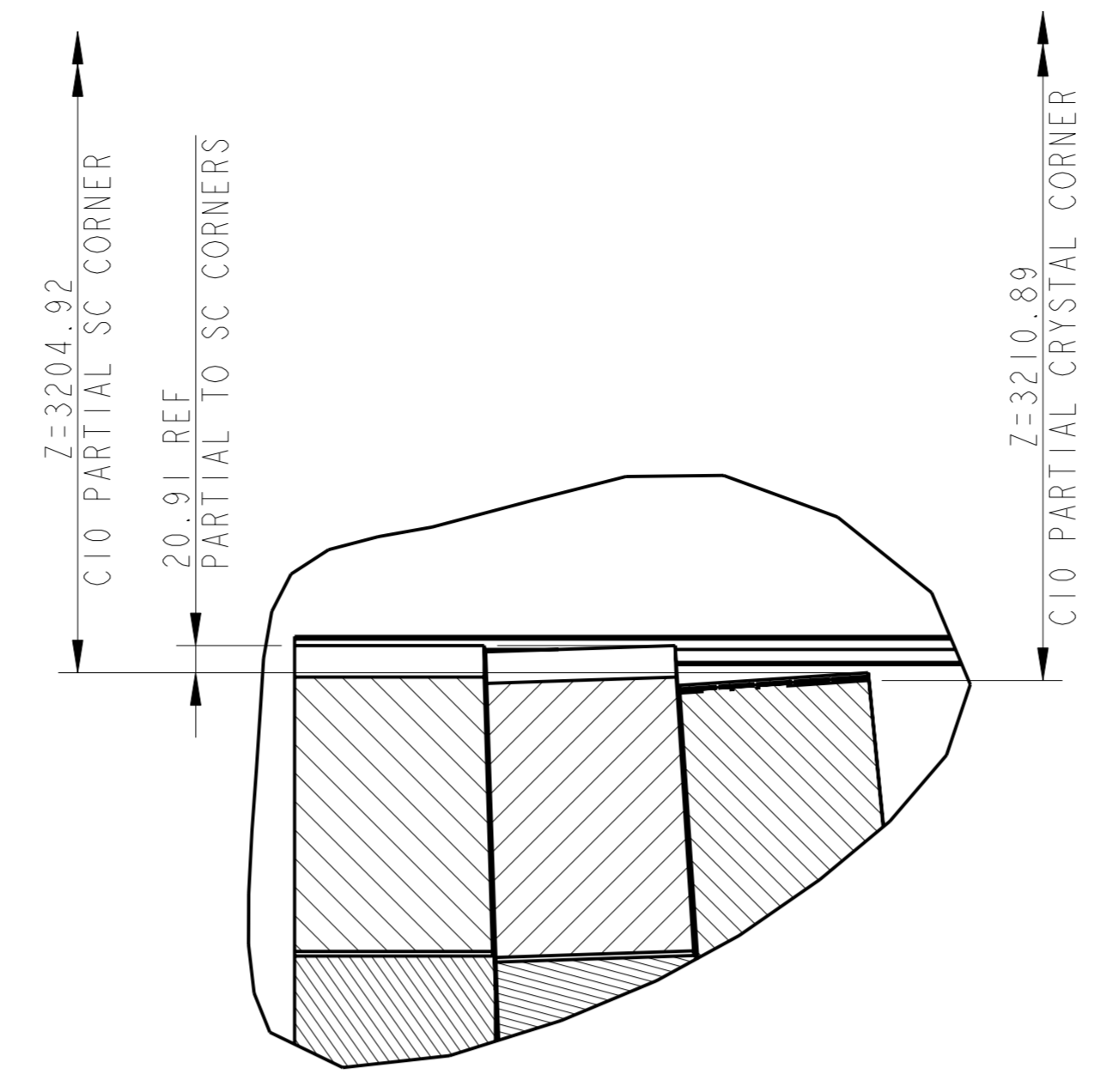
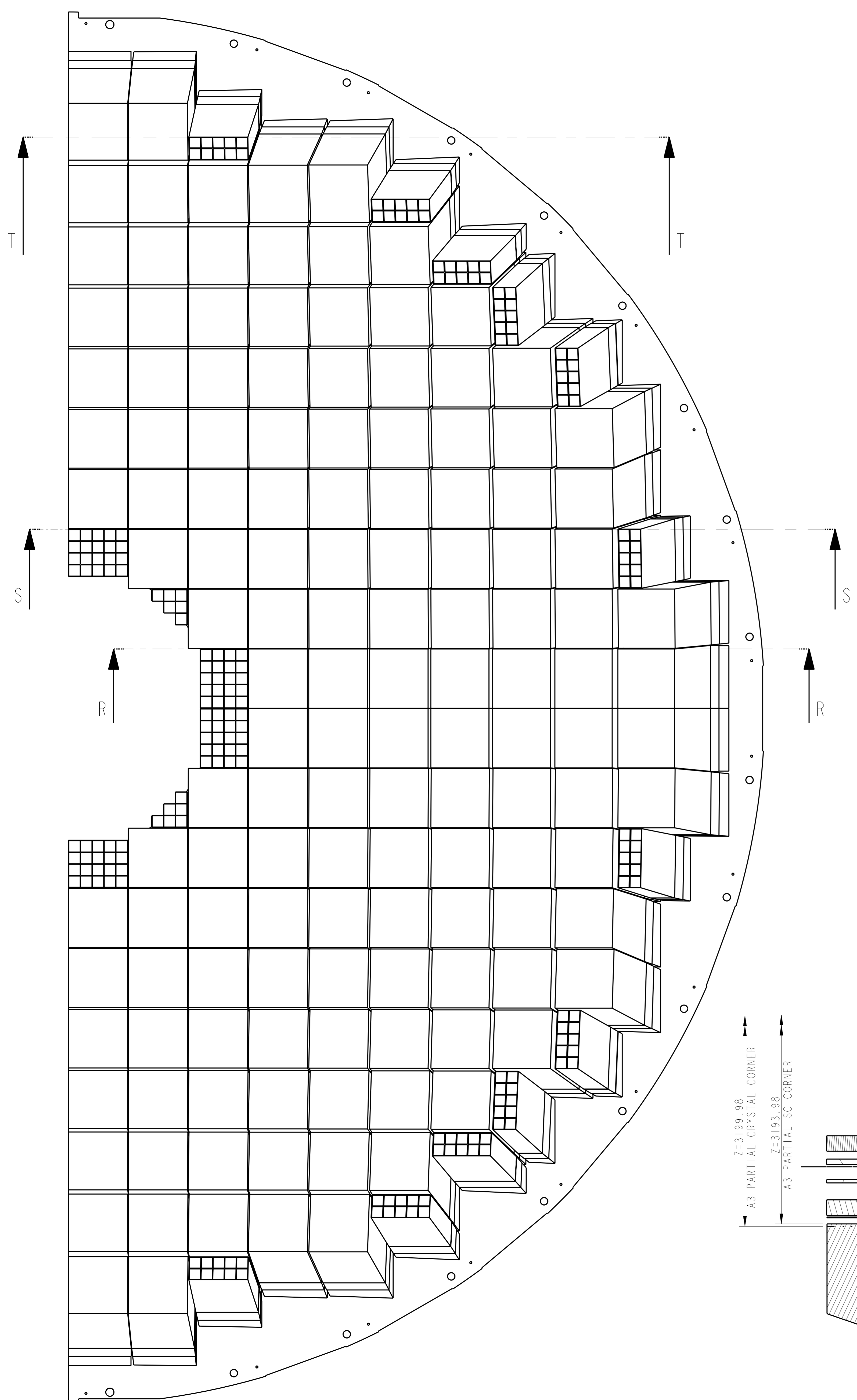
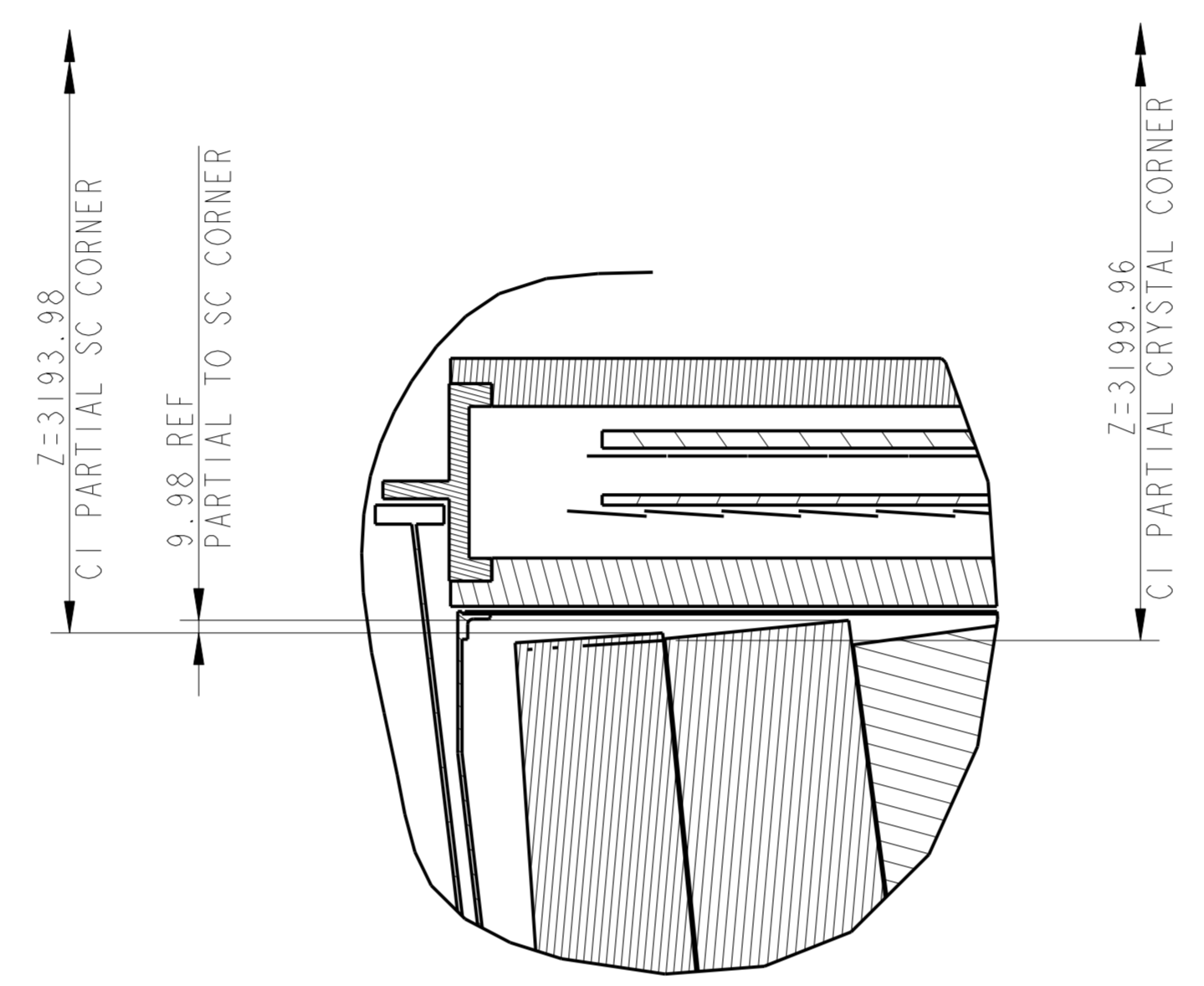


ALL Z POSITIONS SPECIFIED ARE FOR CMS 'FIELD OFF'

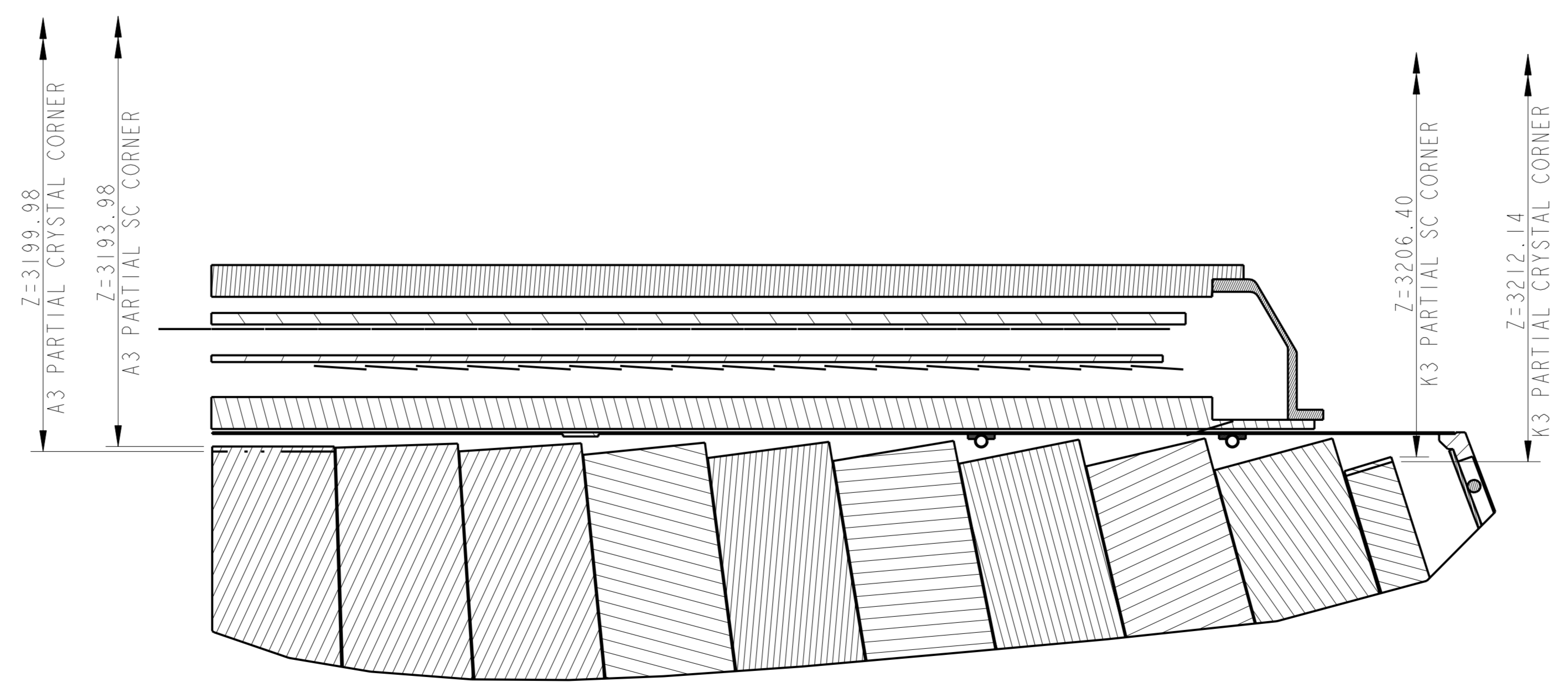
B	24/01/11	-----	J HILL	---	JAH	WIP
ISSUE DATE	APPD	MOD. No.	DRN. BY	CHKD BY	APPD BY	STATUS
TOLERANCES UNLESS STATED			FINISH		ORIGINAL SCALE	
± mm			REMOVE ALL BURRS		1:5	
MATERIAL & SPEC.			SURFACE TEXTURE		DO NOT SCALE	
-----			✓ UNLESS STATED			
USED ON EE ECAL END CAP						© STFC 2009
SCIENCE AND TECHNOLOGY FACILITIES COUNCIL RUTHERFORD APPLETON LABORATORY, DIDOT, OXON OX11 0QX						
TITLE EE END CAP - CMS INTEGRATION						TDR121
CMS ECAL EE						
A0	TD-1177-100	SHEET 1 OF 2			B	



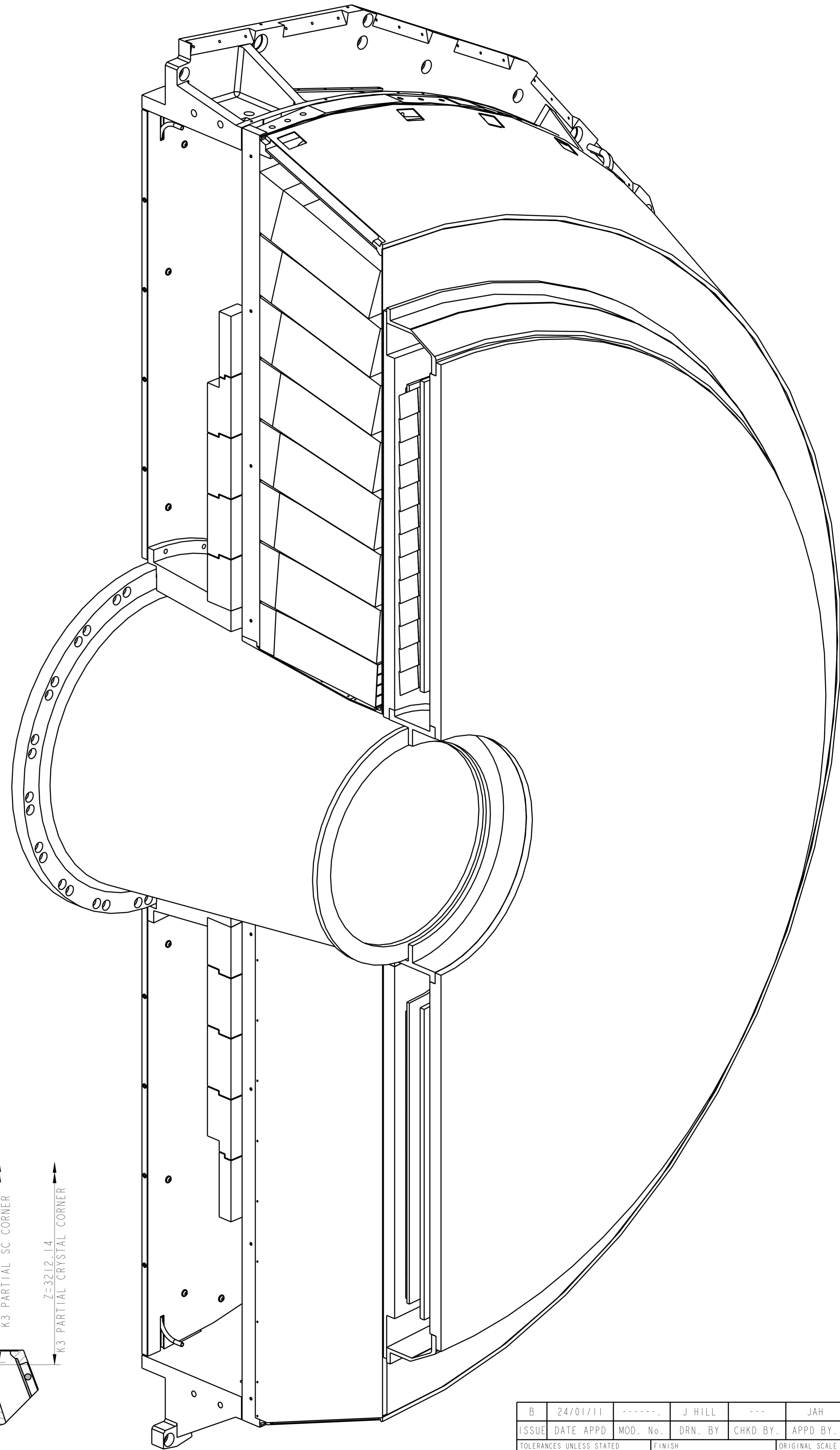
SECTION T-T
SCALE 1:5



SECTION R-R
SCALE 1:5



SECTION S-S
SCALE 1:5



B	24/01/11	-----	J HILL	---	JAH	WIP
ISSUE	DATE	APPD	MOD. No.	DRN. BY	CHKD BY	APPD BY
TOLERANCES UNLESS STATED			FINISH		ORIGINAL SCALE	
± mm			REMOVE ALL BURRS		1:5	
MATERIAL & SPEC.			SURFACE TEXTURE		DO NOT SCALE	
-----			UNLESS STATED		-----	
USED ON EE ECAL END CAP						© STFC 2009
SCIENCE AND TECHNOLOGY FACILITIES COUNCIL RUTHERFORD APPLETON LABORATORY, DIDOT, OXON OX11 0QX						
TITLE EE END CAP - CMS INTEGRATION HE AND ES INTERFACE						
CMS ECAL EE						TDR121
A0	TD-1177-100	SHEET 2 OF 2				B